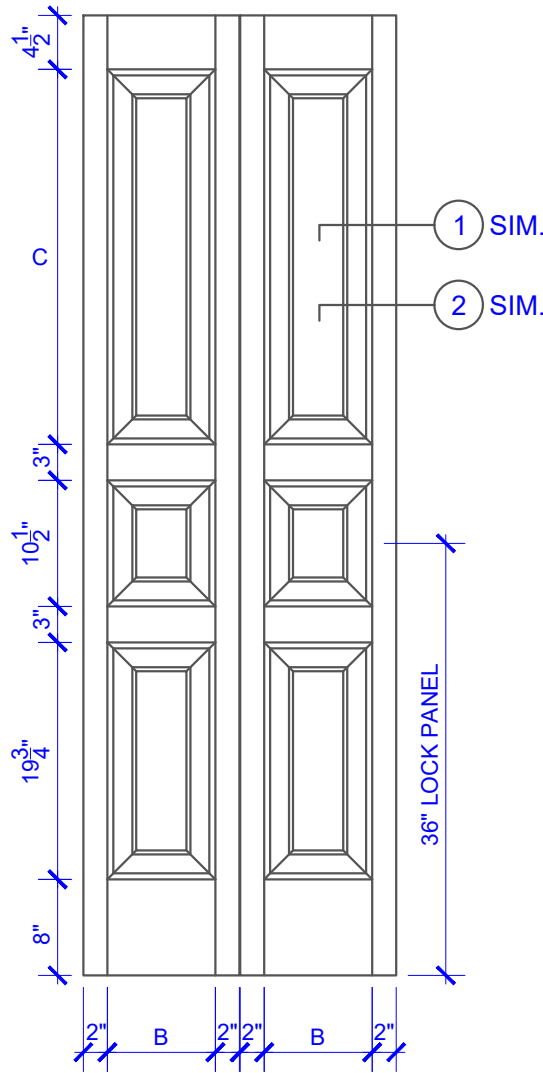


**PASSAGE, POCKET,
BYPASS, BARN DOORS**

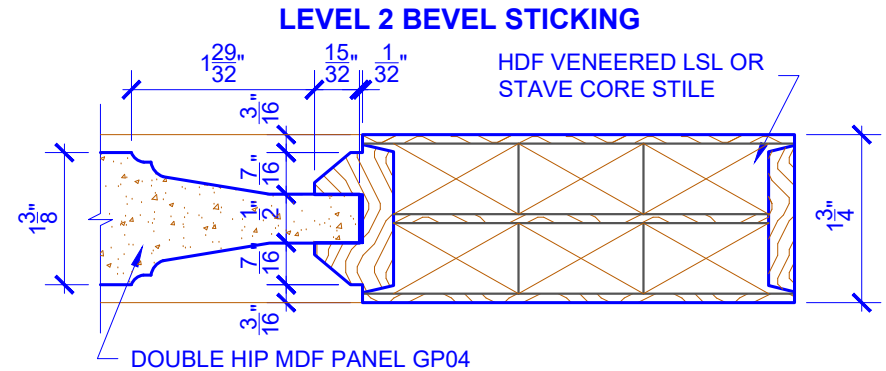


BIFOLD DOORS

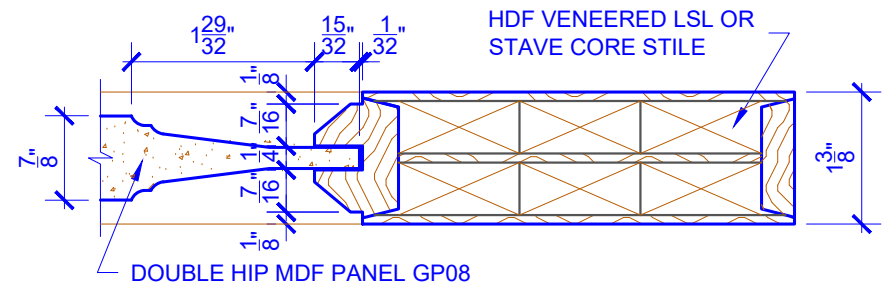
| DOOR COMPONENT SIZES | | | |
|----------------------|-----------------|-----------------|----------------------|
| DOOR WIDTH | STILE WIDTH "A" | PANEL WIDTH "B" | TOP PANEL HEIGHT "C" |
| 1-0 THRU 1-1 | 2" | VARIABLES | VARIABLES |
| 1-2 THRU 1-3 | 3" | VARIABLES | VARIABLES |
| 1-4 THRU 1-10 | 4" | VARIABLES | VARIABLES |
| 2-0 THRU 4-0 | 4-1/2" | VARIABLES | VARIABLES |

NOTES:

- BIFOLD LEAF WIDTHS 10-11/16"-24" WILL HAVE 2" WIDE STILES.
- ALL COMPONENTS (STILES, RAILS & MULLIONS) MEASUREMENTS ARE "NET" FACE-WIDTH DIMENSIONS, NOT INCLUDING STICKING PROFILES OR APPLIED MOULDING.



DETAIL 1



DETAIL 2

* SEE LIMITED LIFETIME WARRANTY FOR TOLERANCES AND EXCLUSIONS