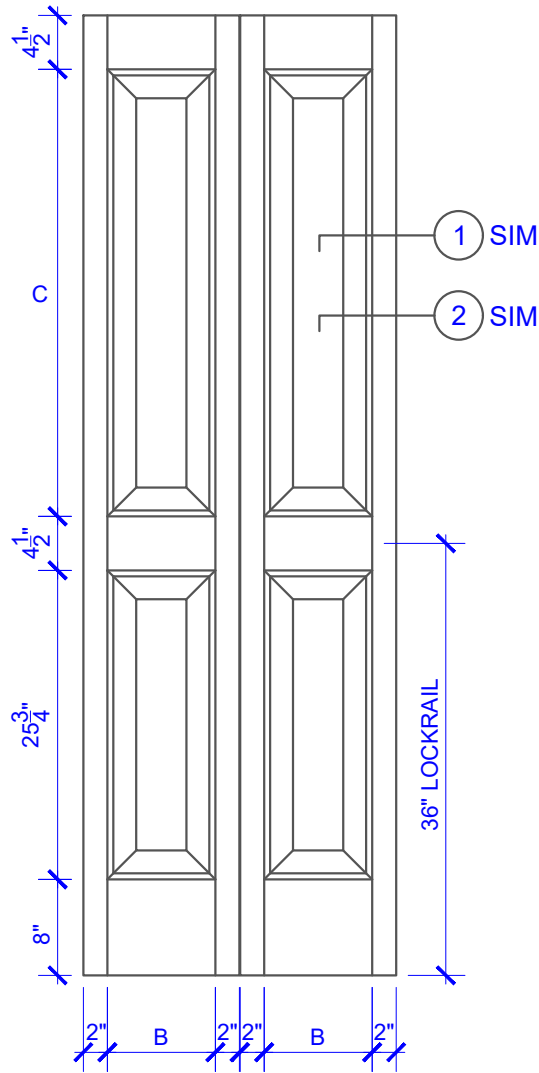


**PASSAGE, POCKET,
BYPASS, BARN DOORS**



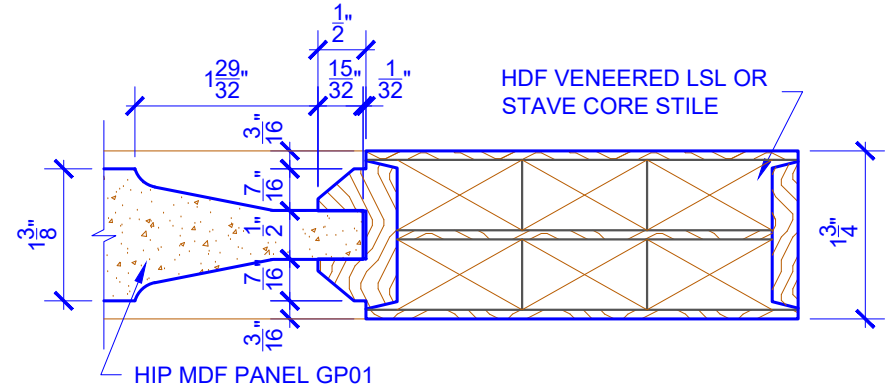
BIFOLD DOORS

| DOOR COMPONENT SIZES | | | | | |
|----------------------|-----------------|-----------------|----------------------|-------------------|-----------------|
| DOOR WIDTH | STILE WIDTH "A" | PANEL WIDTH "B" | TOP PANEL HEIGHT "C" | MIDRAIL WIDTH "D" | PANEL WIDTH "E" |
| 2-0 THRU 2-4 | 4" | VARIES | VARIES | 2" | VARIES |
| 2-6 THRU 4-0 | 4-1/2" | VARIES | VARIES | 3" | VARIES |

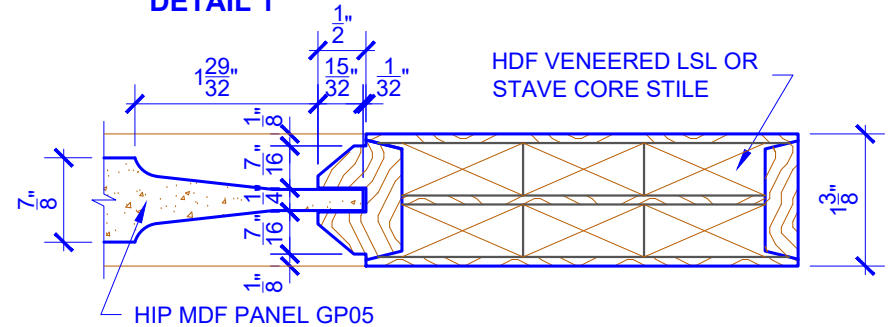
NOTES:

- BIFOLD LEAF WIDTHS 10-11/16"-24" WILL HAVE 2" WIDE STILES.
- ALL COMPONENTS (STILES, RAILS & MULLIONS) MEASUREMENTS ARE "NET" FACE-WIDTH DIMENSIONS, NOT INCLUDING STICKING PROFILES OR APPLIED MOULDING.
- DOORS NARROWER THAN 2'-0" IN WIDTH ON 2 PANEL WIDE DOORS WILL BE MADE AS 1-PANEL WIDE IN A CORRESPONDING DESIGN. GP319 DESIGN 1-0 THRU 1-10 WIDE WOULD BE A GP201 PANEL DESIGN.

LEVEL 2 BEVEL STICKING



DETAIL 1



DETAIL 2

* SEE LIMITED LIFETIME WARRANTY FOR TOLERANCES AND EXCLUSIONS