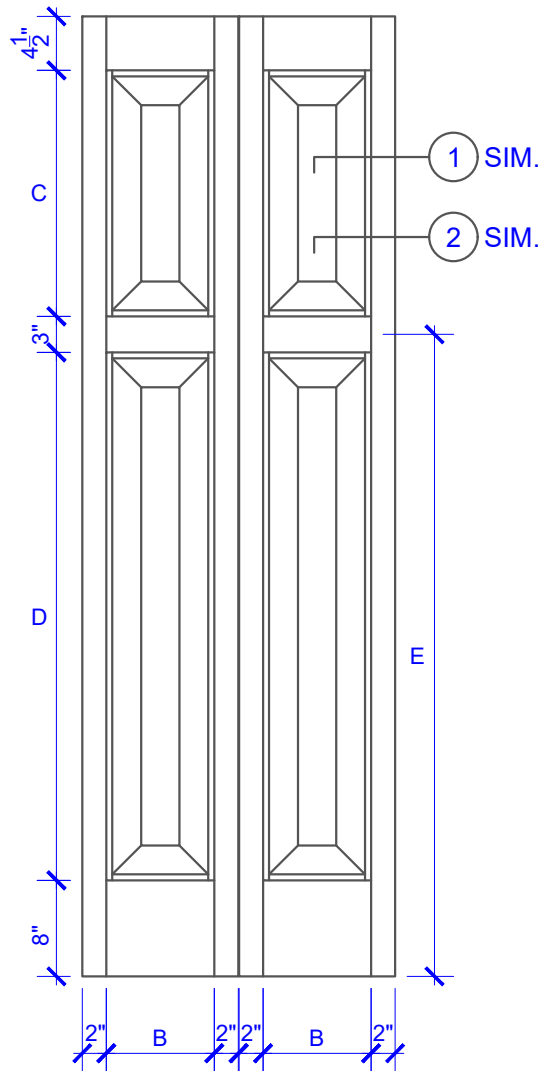


**PASSAGE, POCKET,
BYPASS, BARN DOORS**



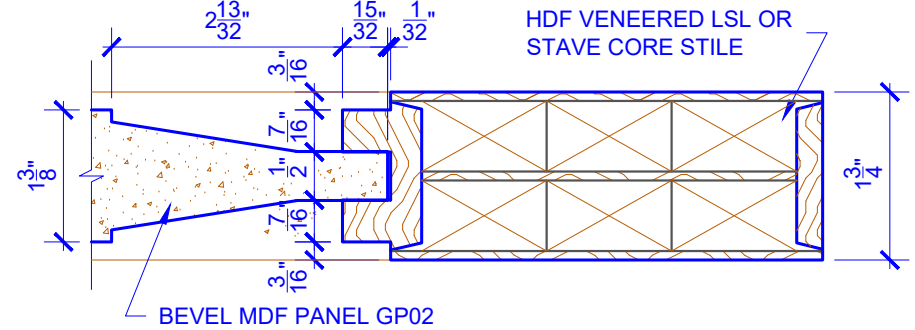
BIFOLD DOORS

DOOR COMPONENT SIZES

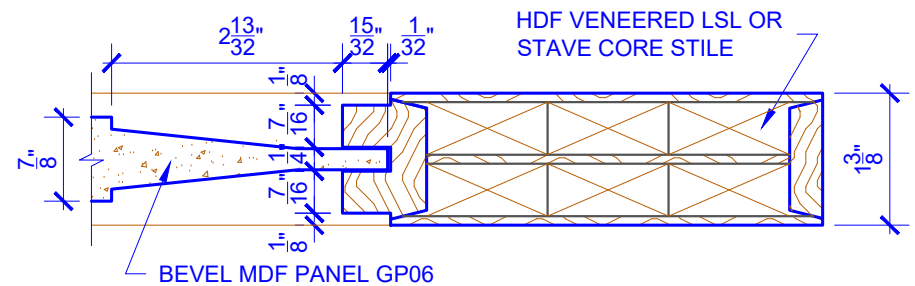
DOOR WIDTH	STILE WIDTH "A"	PANEL WIDTH "B"	PANEL HEIGHT "C"	PANEL HEIGHT "D"	RAIL ε "E"	MIDRAIL WIDTH "F"	PANEL WIDTH "G"
2-0 THRU 2-4	4"	VARIABLES	VARIABLES	VARIABLES	VARIABLES	2"	VARIABLES
2-6 THRU 4-0	4-1/2"	VARIABLES	VARIABLES	VARIABLES	VARIABLES	3"	VARIABLES

- NOTES:
1. BIFOLD LEAF WIDTHS 10-11/16"-24" WILL HAVE 2" WIDE STILES.
 2. ALL COMPONENTS (STILES, RAILS & MULLIONS) MEASUREMENTS ARE "NET" FACE-WIDTH DIMENSIONS, NOT INCLUDING STICKING PROFILES OR APPLIED MOULDING.
 3. DOORS NARROWER THAN 2'-0" IN WIDTH ON 2 PANEL WIDE DOORS WILL BE MADE AS 1-PANEL WIDE IN A CORRESPONDING DESIGN. PN324 DESIGN 1-0 TO 1-10 WIDE WOULD BE A PN223 DESIGN.

LEVEL 2 STEP STICKING



DETAIL 1



DETAIL 2

* SEE LIMITED LIFETIME WARRANTY FOR TOLERANCES AND EXCLUSIONS