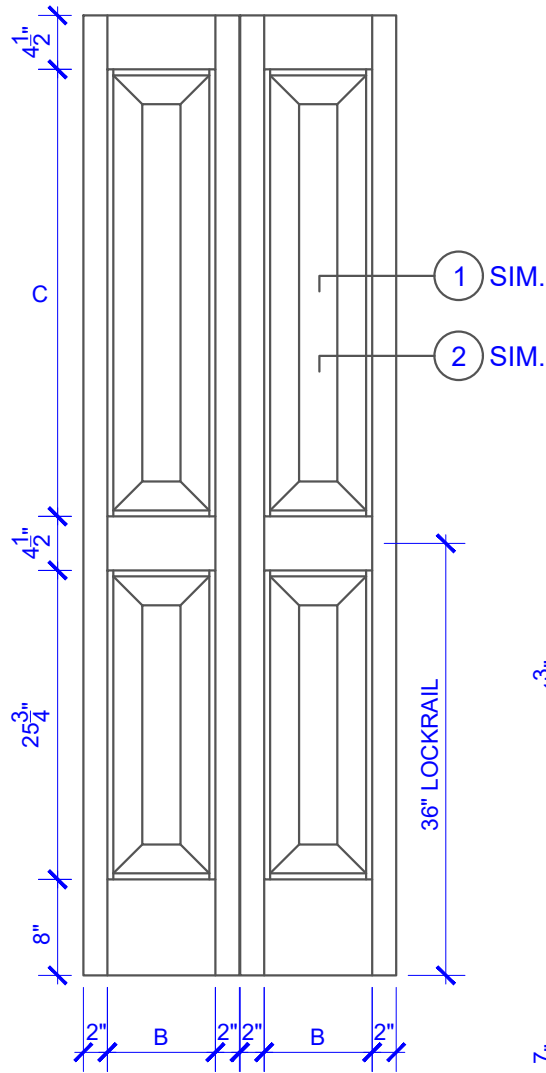


**PASSAGE, POCKET,
BYPASS, BARN DOORS**

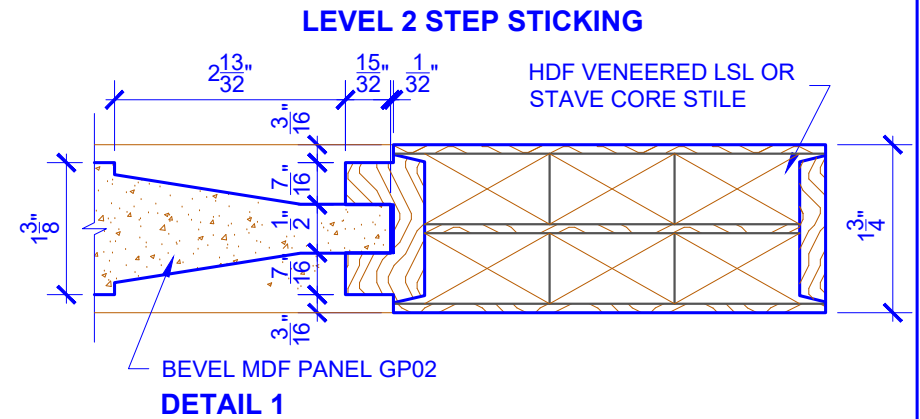


BIFOLD DOORS

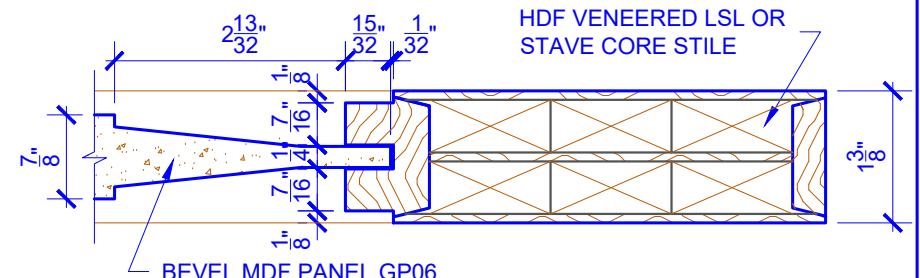
| DOOR COMPONENT SIZES | | | | |
|----------------------|-----------------|-----------------|----------------------|-------------------|
| DOOR WIDTH | STILE WIDTH "A" | PANEL WIDTH "B" | TOP PANEL HEIGHT "C" | MIDRAIL WIDTH "D" |
| 2-0 THRU 2-4 | 4" | VARIABLES | VARIABLES | 2" |
| 2-6 THRU 4-0 | 4-1/2" | VARIABLES | VARIABLES | 3" |

NOTES:

1. BIFOLD LEAF WIDTHS 10-11/16"-24" WILL HAVE 2" WIDE STILES.
2. ALL COMPONENTS (STILES, RAILS & MULLIONS) MEASUREMENTS ARE "NET" FACE-WIDTH DIMENSIONS, NOT INCLUDING STICKING PROFILES OR APPLIED MOULDING.
3. DOORS NARROWER THAN 2'-0" IN WIDTH ON 2 PANEL WIDE DOORS WILL BE MADE AS 1-PANEL WIDE IN A CORRESPONDING DESIGN. GP401 DESIGN 1-0 THRU 1-10 WIDE WOULD BE A GP201 PANEL DESIGN.



DETAIL 1



DETAIL 2

* SEE LIMITED LIFETIME WARRANTY FOR TOLERANCES AND EXCLUSIONS



| | | |
|--|--------------------|------------------|
| CUSTOMER: | DATE: 12/22/22 | PO: |
| DRAWING TITLE: GP401 LEVEL 2 STANDARD DOOR | REVISION: | PAGE: 1 of 1 |
| STICKING: STEP | SPECIES: HDF STAVE | PANEL: MDF BEVEL |

