

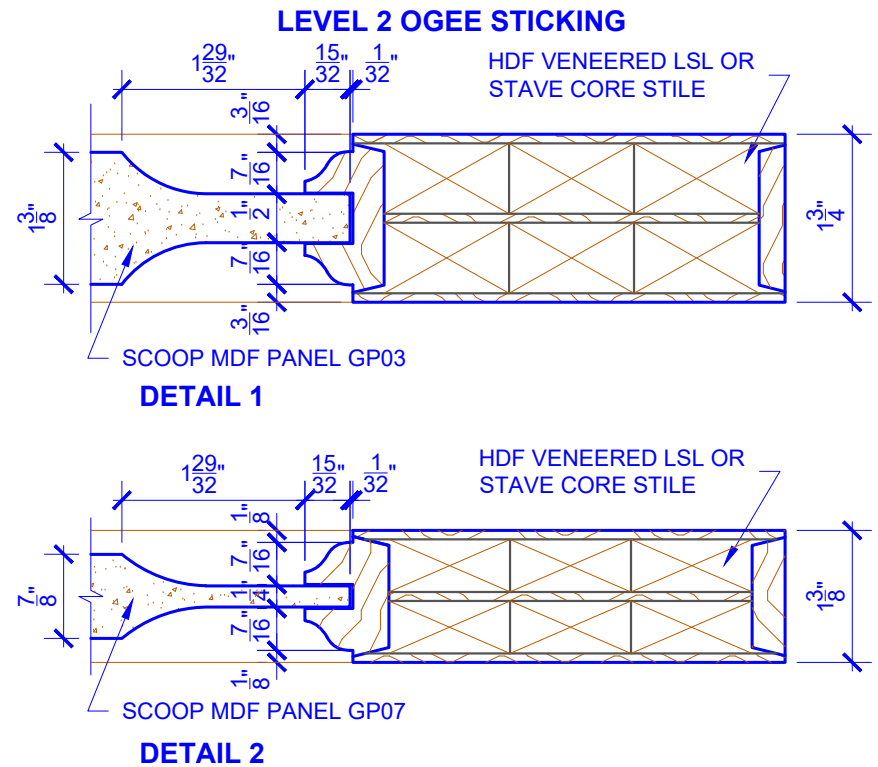
**PASSAGE, POCKET,  
BYPASS, BARN DOORS**

**BIFOLD DOORS**

DOOR COMPONENT SIZES				
DOOR WIDTH	STILE WIDTH "A"	PANEL WIDTH "B"	TOP PANEL HEIGHT "C"	STILE WIDTH "D"
2-8 THRU 2-10	4"	VARIES	VARIES	2"
3-0 THRU 4-0	4-1/2"	VARIES	VARIES	3"

NOTES:

1. BIFOLD LEAF WIDTHS 10-11/16"-24" WILL HAVE 2" WIDE STILES.
2. ALL COMPONENTS (STILES, RAILS & MULLIONS) MEASUREMENTS ARE "NET" FACE-WIDTH DIMENSIONS, NOT INCLUDING STICKING PROFILES OR APPLIED MOULDING.
3. DOORS NARROWER THAN 2'-8" IN WIDTH ON 3 PANEL WIDE DOORS WILL BE MADE AS 1-PANEL OR 2-PANEL WIDE IN A CORRESPONDING DESIGN. GP607 DESIGN 2-0 THRU 2-7 WIDE WOULD BE A GP401 DESIGN. GP607 DESIGN 1-0 THRU 1-10 WIDE WOULD BE A GP201 DESIGN.



\* SEE LIMITED LIFETIME WARRANTY FOR TOLERANCES AND EXCLUSIONS



CUSTOMER:	DATE: 12/02/22	PO:
DRAWING TITLE: GP607 LEVEL 2 STANDARD DOOR	REVISION:	PAGE: 1 of 1
STICKING: OGEE	SPECIES: HDF STAVE	PANEL: MDF SCOOP

