

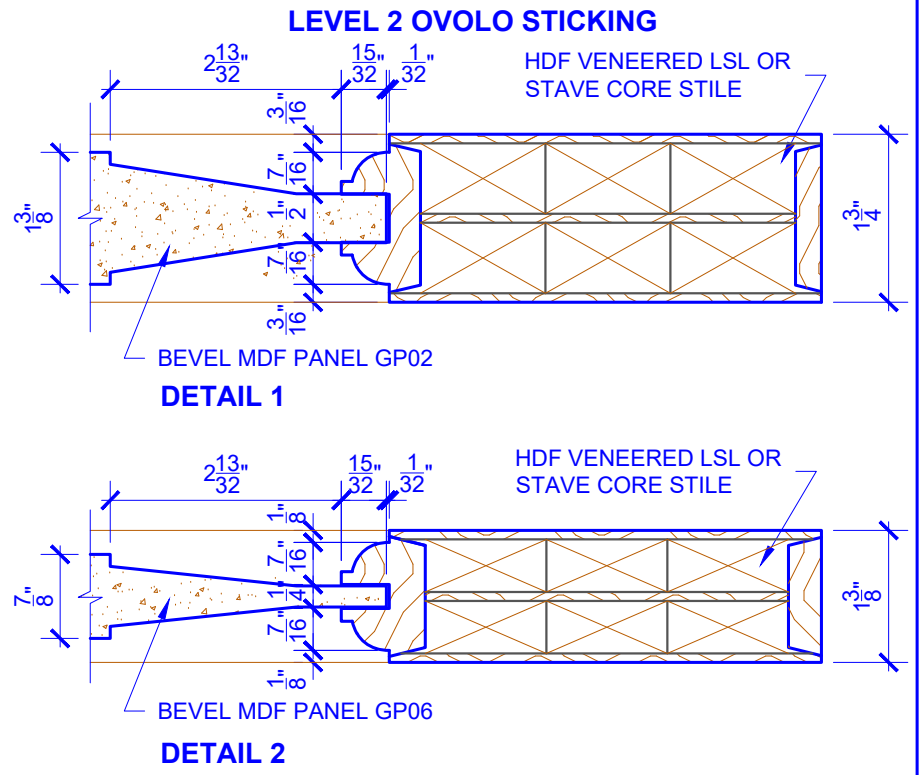
**PASSAGE, POCKET,
BYPASS, BARN DOORS**

BIFOLD DOORS

| DOOR COMPONENT SIZES | | | | |
|----------------------|-----------------|-----------------|----------------------|-----------------|
| DOOR WIDTH | STILE WIDTH "A" | PANEL WIDTH "B" | TOP PANEL HEIGHT "C" | STILE WIDTH "D" |
| 2-8 THRU 2-10 | 4" | VARIABLES | VARIABLES | 2" |
| 3-0 THRU 4-0 | 4-1/2" | VARIABLES | VARIABLES | 3" |

NOTES:

1. BIFOLD LEAF WIDTHS 10-11/16"-24" WILL HAVE 2" WIDE STILES.
2. ALL COMPONENTS (STILES, RAILS & MULLIONS) MEASUREMENTS ARE "NET" FACE-WIDTH DIMENSIONS, NOT INCLUDING STICKING PROFILES OR APPLIED MOULDING.
3. DOORS NARROWER THAN 2'-8" IN WIDTH ON 3 PANEL WIDE DOORS WILL BE MADE AS 1-PANEL OR 2-PANEL WIDE IN A CORRESPONDING DESIGN. GP607 DESIGN 2-0 THRU 2-7 WIDE WOULD BE A GP401 DESIGN. GP607 DESIGN 1-0 THRU 1-10 WIDE WOULD BE A GP201 DESIGN.



* SEE LIMITED LIFETIME WARRANTY FOR TOLERANCES AND EXCLUSIONS



| | | |
|--|--------------------|------------------|
| CUSTOMER: | DATE: 12/12/22 | PO: |
| DRAWING TITLE: GP607 LEVEL 2 STANDARD DOOR | REVISION: 01 | PAGE: 1 of 1 |
| STICKING: OVOLO | SPECIES: HDF STAVE | PANEL: MDF BEVEL |

