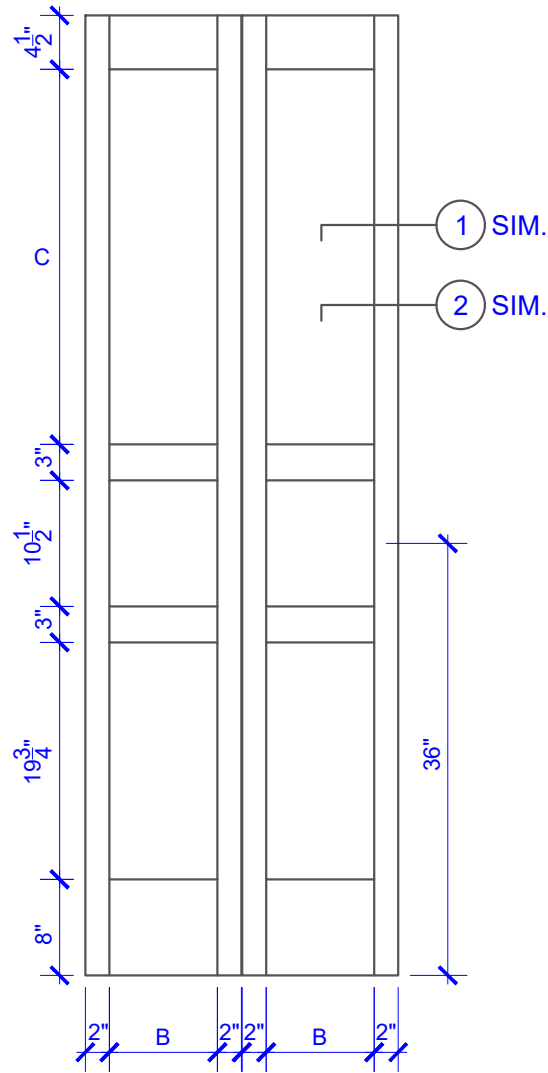


**PASSAGE, POCKET,  
BYPASS, BARN DOORS**

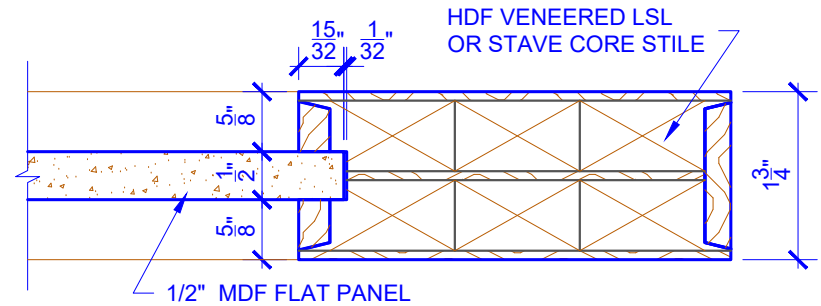


**BIFOLD DOORS**

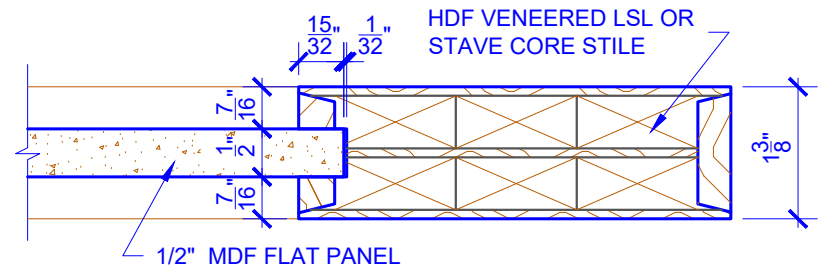
| DOOR COMPONENT SIZES |                 |                 |                      |
|----------------------|-----------------|-----------------|----------------------|
| DOOR WIDTH           | STILE WIDTH "A" | PANEL WIDTH "B" | TOP PANEL HEIGHT "C" |
| 1-0 THRU 1-1         | 2"              | VARIABLES       | VARIABLES            |
| 1-2 THRU 1-3         | 3"              | VARIABLES       | VARIABLES            |
| 1-4 THRU 1-10        | 4"              | VARIABLES       | VARIABLES            |
| 2-0 THRU 4-0         | 4-1/2"          | VARIABLES       | VARIABLES            |

NOTES:  
 1. BIFOLD LEAF WIDTHS 9"-24" WILL HAVE 2" WIDE STILES.  
 2. ALL COMPONENTS (STILES, RAILS & MULLIONS) MEASUREMENTS ARE "NET" FACE-WIDTH DIMENSIONS, NOT INCLUDING STICKING PROFILES OR APPLIED MOULDING.

**LEVEL 1 SQUARE SHOULDER**



**DETAIL 1**



**DETAIL 2**

\* SEE LIMITED LIFETIME WARRANTY FOR TOLERANCES AND EXCLUSIONS