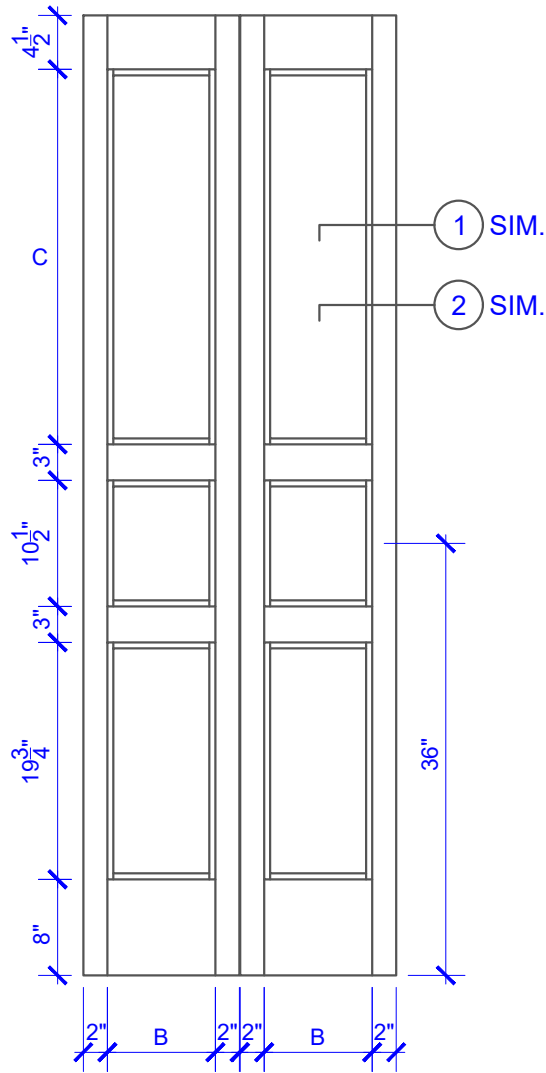


**PASSAGE, POCKET,  
BYPASS, BARN DOORS**



**BIFOLD DOORS**

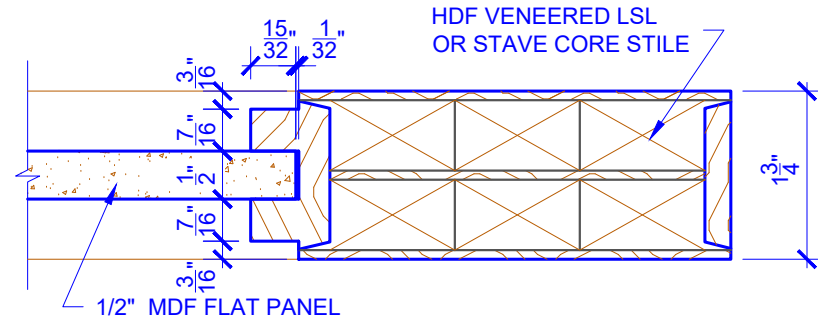
**DOOR COMPONENT SIZES**

| DOOR WIDTH   | STILE WIDTH "A" | PANEL WIDTH "B" | PANEL HEIGHT "C" |
|--------------|-----------------|-----------------|------------------|
| 2-0 THRU 2-4 | 4"              | VARIES          | VARIES           |
| 2-6 THRU 4-0 | 4-1/2"          | VARIES          | VARIES           |

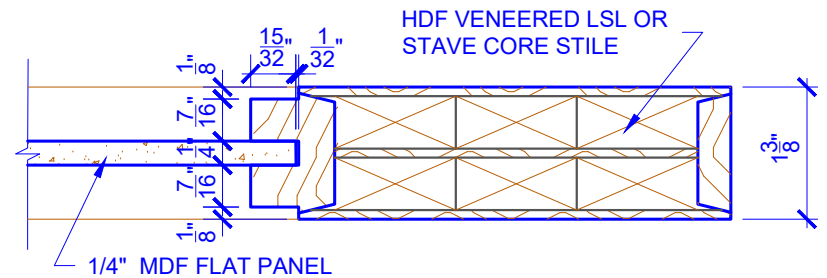
**NOTES:**

1. BIFOLD LEAF WIDTHS 9"-24" WILL HAVE 2" WIDE STILES.
2. ALL COMPONENTS (STILES, RAILS & MULLIONS) MEASUREMENTS ARE "NET" FACE-WIDTH DIMENSIONS, NOT INCLUDING STICKING PROFILES OR APPLIED MOULDING.
3. DOORS NARROWER THAN 2'-0" IN WIDTH ON 2 OR 3 PANEL WIDE DOORS WILL BE MADE AS 1-PANEL WIDE IN A CORRESPONDING DESIGN. PN501 DESIGN 1-8 WIDE WOULD BE A PN301 DESIGN.

**LEVEL 2 STEP STICKING**



**DETAIL 1**



**DETAIL 2**

\* SEE LIMITED LIFETIME WARRANTY FOR TOLERANCES AND EXCLUSIONS