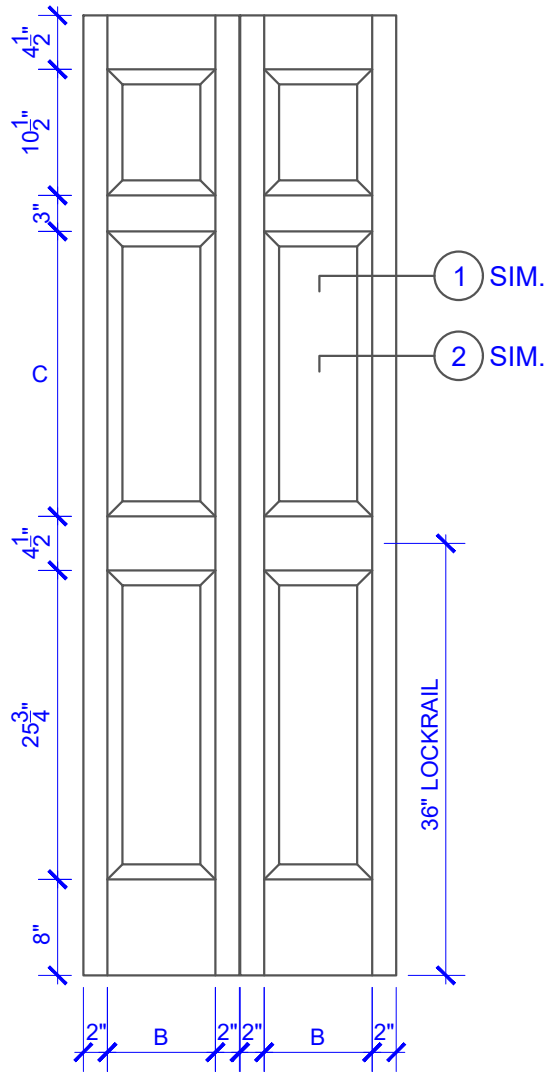


**PASSAGE, POCKET,  
BYPASS, BARN DOORS**



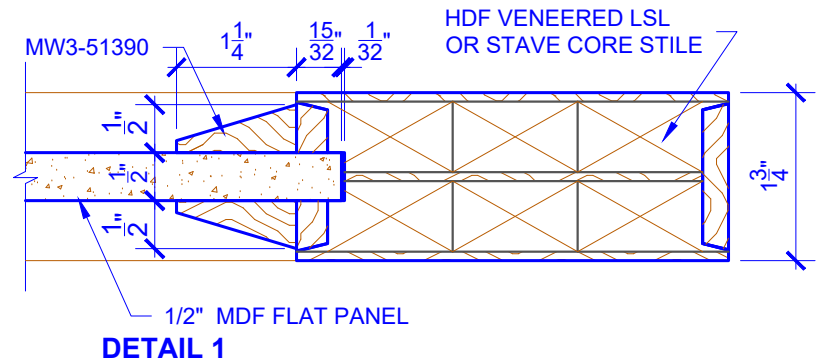
**BIFOLD DOORS**

| DOOR COMPONENT SIZES |                 |                 |                      |
|----------------------|-----------------|-----------------|----------------------|
| DOOR WIDTH           | STILE WIDTH "A" | PANEL WIDTH "B" | TOP PANEL HEIGHT "C" |
| 2-0 THRU 2-4         | 4"              | VARIABLES       | VARIABLES            |
| 2-6 THRU 4-0         | 4-1/2"          | VARIABLES       | VARIABLES            |

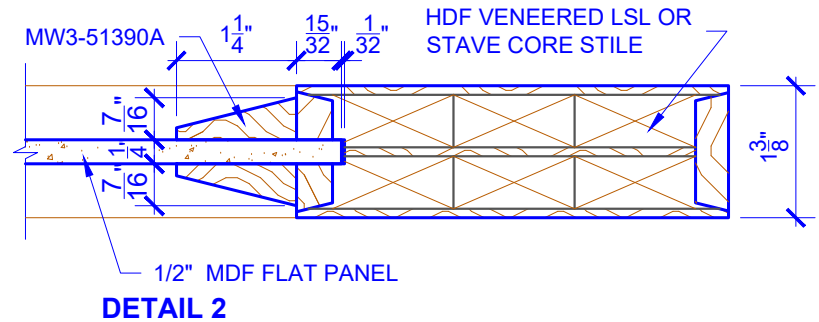
NOTES:

- BIFOLD LEAF WIDTHS 9"-24" WILL HAVE 2" WIDE STILES.
- ALL COMPONENTS (STILES, RAILS & MULLIONS) MEASUREMENTS ARE "NET" FACE-WIDTH DIMENSIONS, NOT INCLUDING STICKING PROFILES OR APPLIED MOULDING.
- DOORS NARROWER THAN 2'-0" IN WIDTH ON 2 OR 3 PANEL WIDE DOORS WILL BE MADE AS 1-PANEL WIDE IN A CORRESPONDING DESIGN. PN601 DESIGN 1-8 WIDE WOULD BE A PN601-3 PANEL DESIGN.

**LEVEL 3 EXTENDED BEVEL**



**DETAIL 1**



**DETAIL 2**

\* SEE LIMITED LIFETIME WARRANTY FOR TOLERANCES AND EXCLUSIONS