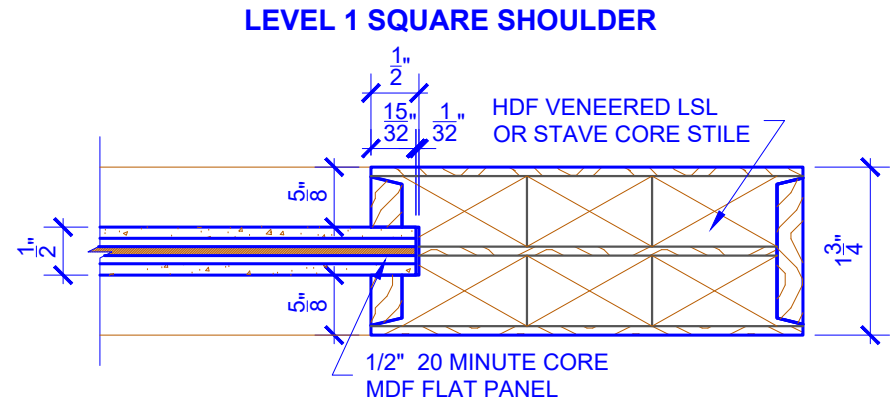


PASSAGE DOORS

| DOOR COMPONENT SIZES | | |
|-------------------------------------------------------------------------------------------------------------------------------------------------|-----------------|------------------|
| DOOR WIDTH | PANEL WIDTH "A" | PANEL HEIGHT "B" |
| 2-0 THRU 4-0 | VARIES | VARIES |
| NOTES: | | |
| 1. ALL COMPONENTS (STILES, RAILS & MULLIONS) MEASUREMENTS ARE "NET" FACE-WIDTH DIMENSIONS, NOT INCLUDING STICKING PROFILES OR APPLIED MOULDING. | | |

| FIRE DOOR SPECIFICATIONS | | | |
|-------------------------------------------------------------------------------------------------------------------------------------------------------------------------------------------------------------------------------|------------------------------------|----------------------------------------------------------------|----------------------------------------------------------------|
| 20 MINUTE CAT "B" SINGLE FIRE DOOR | CATEGORY "B" MAX SIZE 4/0 X 8/0 | CATEGORY "G" EDGE SEAL FOR FIRE CONTROL | CATEGORY "H" EDGE SEAL FOR SMOKE CONTROL (OPTIONAL) |
| | | CHECK BOX IF PROVIDED BY MILLWORK 360 <input type="checkbox"/> | CHECK BOX IF PROVIDED BY MILLWORK 360 <input type="checkbox"/> |
| NOTES: | | | |
| 1. CATEGORY "B" DOORS DO NOT HAVE SEALING SYSTEMS BUILT INTO THE DOOR EDGES AND REQUIRE AN ADDITIONAL EDGE SEALING SYSTEM CATEGORY G TO BE APPLIED TO THE DOOR OR FRAME. | | | |
| 2. TESTING METHOD: 20 MINUTE FIRE DOORS ARE TESTED IN CONFORMANCE WITH THE POSITIVE PRESSURE WITH HOSE STREAM CRITERIA. | | | |
| 3. TEMPERATURE RISE: OUR FIRE DOORS MEET THE TOP CLASSIFICATION FOR TEMPERATURE RISE FIRE DOORS, WHICH MEANS THE UNEXPOSED FACE OF THE DOOR <i>NON-FIRE SIDE</i> DOES NOT EXCEED 250° F AT 30 MINUTES OF FIRE TESTING. | | | |
| 4. HARDWARE: ONLY HARDWARE LISTED FOR USE WITH WOOD FIRE DOORS MAY BE INSTALLED. | | | |



DETAIL 1

* SEE LIMITED LIFETIME WARRANTY FOR TOLERANCES AND EXCLUSIONS