

PASSAGE

DOOR COMPONENT SIZES			
DOOR WIDTH	STILE WIDTH "A"	PANEL WIDTH "B"	PANEL HEIGHT "C"
2-0 THRU 2-4	4"	VARIES	VARIES
2-6 THRU 4-0	4-1/2"	VARIES	VARIES

NOTES:

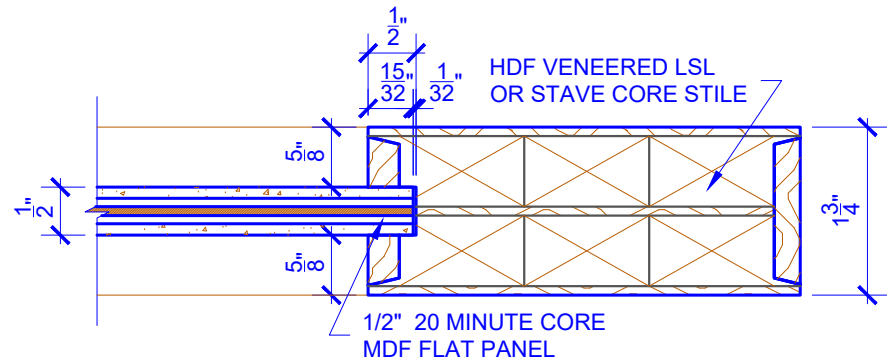
- ALL COMPONENTS (STILES, RAILS & MULLIONS) MEASUREMENTS ARE "NET" FACE-WIDTH DIMENSIONS, NOT INCLUDING STICKING PROFILES OR APPLIED MOULDING.

FIRE DOOR SPECIFICATIONS			
<b>20 MINUTE CAT "B" SINGLE FIRE DOOR</b>	CATEGORY "B" MAX SIZE 4/0 X 8/0	CATEGORY "G" EDGE SEAL FOR FIRE CONTROL	CATEGORY "H" EDGE SEAL FOR SMOKE CONTROL (OPTIONAL)
		CHECK BOX IF PROVIDED BY MILLWORK 360 <input type="checkbox"/>	CHECK BOX IF PROVIDED BY MILLWORK 360 <input type="checkbox"/>

NOTES:

- CATEGORY "B" DOORS DO NOT HAVE SEALING SYSTEMS BUILT INTO THE DOOR EDGES AND REQUIRE AN ADDITIONAL EDGE SEALING SYSTEM CATEGORY G TO BE APPLIED TO THE DOOR OR FRAME.
- TESTING METHOD:** 20 MINUTE FIRE DOORS ARE TESTED IN CONFORMANCE WITH THE POSITIVE PRESSURE WITH HOSE STREAM CRITERIA.
- TEMPERATURE RISE:** OUR FIRE DOORS MEET THE TOP CLASSIFICATION FOR TEMPERATURE RISE FIRE DOORS. WHICH MEANS THE UNEXPOSED FACE OF THE DOOR *NON-FIRE SIDE* DOES NOT EXCEED 250° F AT 30 MINUTES OF FIRE TESTING.
- HARDWARE:** ONLY HARDWARE LISTED FOR USE WITH WOOD FIRE DOORS MAY BE INSTALLED.

LEVEL 1 SQUARE SHOULDER



DETAIL 1

\* SEE LIMITED LIFETIME WARRANTY FOR TOLERANCES AND EXCLUSIONS



CUSTOMER:	DATE: 08/04/22	PO:
DRAWING TITLE: PNF308 LEVEL 1 CAT "B" 20 MIN. STANDARD DOOR	REVISION:	PAGE: 1 of 1
STICKING: SQUARE	SPECIES: HDF STAVE	PANEL: MDF FLAT

