

PASSAGE

**DOOR COMPONENT SIZES**

DOOR WIDTH	PANEL WIDTH "A"	PANEL HEIGHT "B"
2-0 THRU 4-0	VARIES	VARIES

NOTES:

1. ALL COMPONENTS (STILES, RAILS & MULLIONS) MEASUREMENTS ARE "NET" FACE-WIDTH DIMENSIONS, NOT INCLUDING STICKING PROFILES OR APPLIED MOULDING.

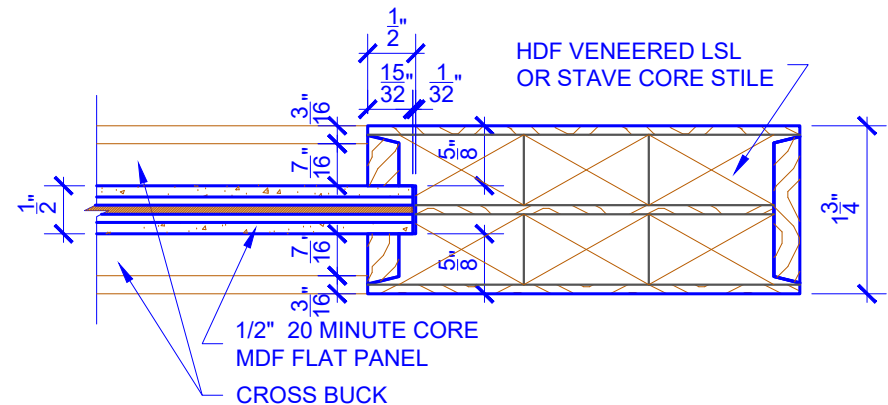
**FIRE DOOR SPECIFICATIONS**

20 MINUTE CAT "B" SINGLE FIRE DOOR	CATEGORY "B" MAX SIZE 4/0 X 8/0	CATEGORY "G" EDGE SEAL FOR FIRE CONTROL	CATEGORY "H" EDGE SEAL FOR SMOKE CONTROL (OPTIONAL)
			CHECK BOX IF PROVIDED BY MILLWORK 360 <input type="checkbox"/>

NOTES:

1. CATEGORY "B" DOORS DO NOT HAVE SEALING SYSTEMS BUILT INTO THE DOOR EDGES AND REQUIRE AN ADDITIONAL EDGE SEALING SYSTEM CATEGORY G TO BE APPLIED TO THE DOOR OR FRAME.
2. **TESTING METHOD:** 20 MINUTE FIRE DOORS ARE TESTED IN CONFORMANCE WITH THE POSITIVE PRESSURE WITH HOSE STREAM CRITERIA.
3. **TEMPERATURE RISE:** OUR FIRE DOORS MEET THE TOP CLASSIFICATION FOR TEMPERATURE RISE FIRE DOORS, WHICH MEANS THE UNEXPOSED FACE OF THE DOOR *NON-FIRE SIDE* DOES NOT EXCEED 250° F AT 30 MINUTES OF FIRE TESTING.
4. **HARDWARE:** ONLY HARDWARE LISTED FOR USE WITH WOOD FIRE DOORS MAY BE INSTALLED.

**LEVEL 1 SQUARE SHOULDER**



DETAIL 1

\* SEE LIMITED LIFETIME WARRANTY FOR TOLERANCES AND EXCLUSIONS