



VILLACREST™
INTERIOR DOORS



ENHANCING ARCHITECTURAL VALUE IN EVERY ROOM

MILLWORK 360
THE DEGREE OF SUPERIOR QUALITY

DOOR APPLICATIONS

Highest Quality Paint Grade Doors



Premium Wood Doors



INTERIOR DOOR CONSTRUCTION

Villacrest Interior Doors are offered as Plantation Flat Panel Series and Grand Porte Raised Panel Series in both paint grade (PG) and stain grade (SG) options. Using classic stile and rail construction, each door is precision crafted with distinct joinery that is architecturally correct. All standard stile components are constructed using Laminated Strand Lumber (LSL) to eliminate warping. Rails are Laminated Veneered Stave (LVS) core, with High Density Fiberboard (HDF) veneer (Paint Grade) or wood face (Stain Grade) and corresponding solid hardwood or softwood edges. Panels are Medium Density Fiberboard (MDF) (PG), or a composite core with wood veneered faces (SG). Applied sticking or mouldings are solid wood in various species.

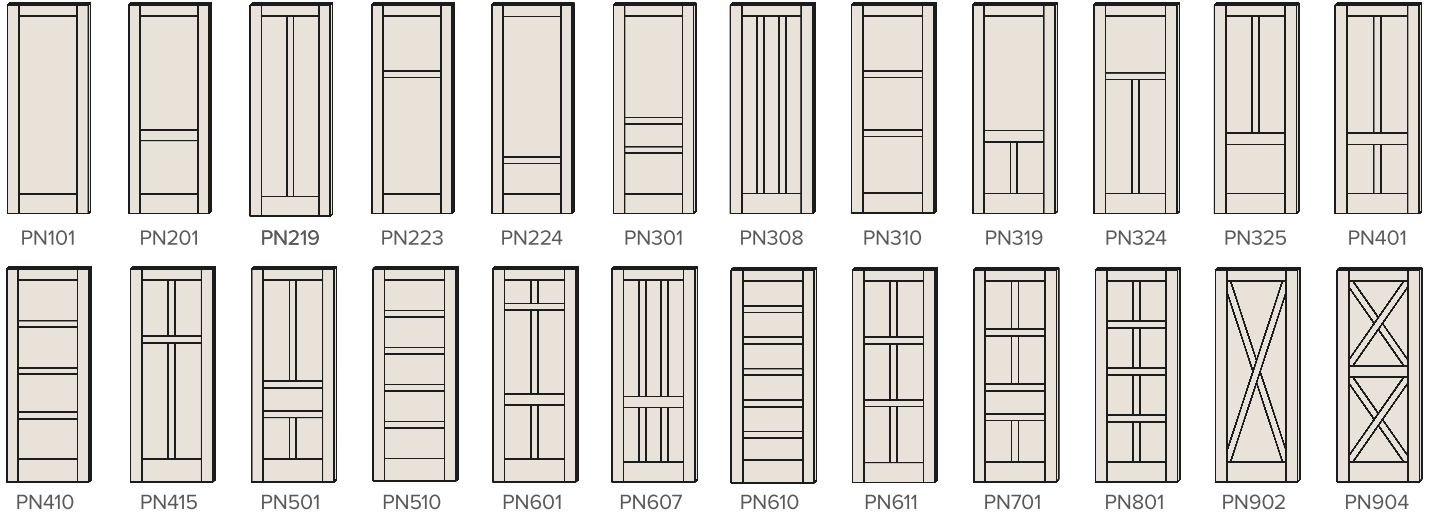
Engineered stave core rails and LSL stiles are constructed through an extensive cutting, planing, edge gluing, sanding and veneer laminating process. Once constructed, they are sized, profiled, edge sanded, and machined for joinery panels (SG), veneer laminated and pressed. All panels are then cut to size and sanded. Door components are then assembled in a hydraulic door press for superior strength and uniformity. Applied sticking is cut-to-fit, mechanically fastened and wood filled. Doors are then sanded and prepped for our state-of-the-art automated prime and finishing line.

Want to see it in person? Contact your sales representative to schedule a plant tour.



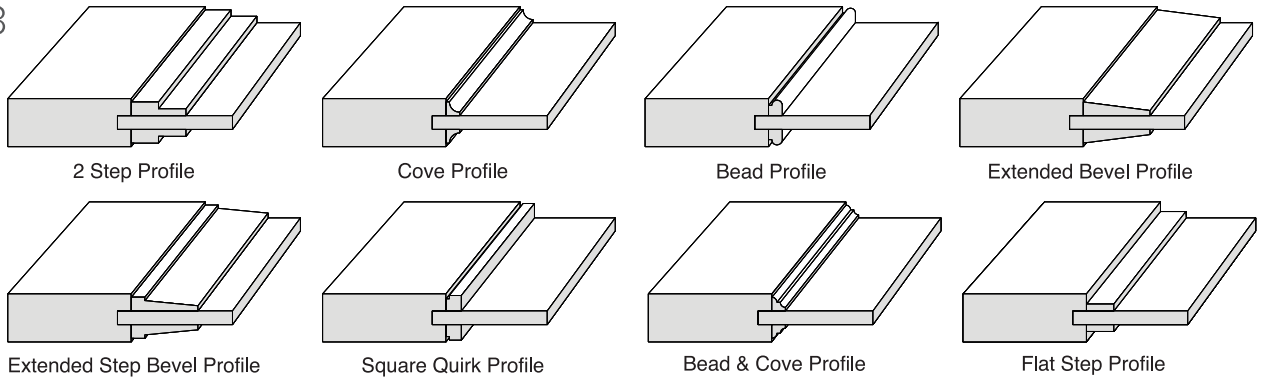
PLANTATION™ FLAT PANEL SERIES

VILLACREST™ PLANTATION SERIES DOOR STYLES

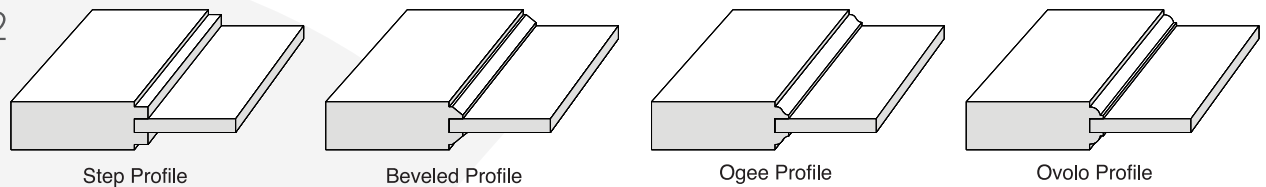


STICKING OPTIONS

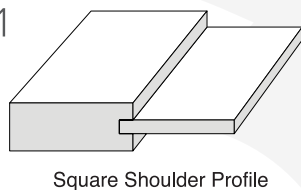
LEVEL 3



LEVEL 2



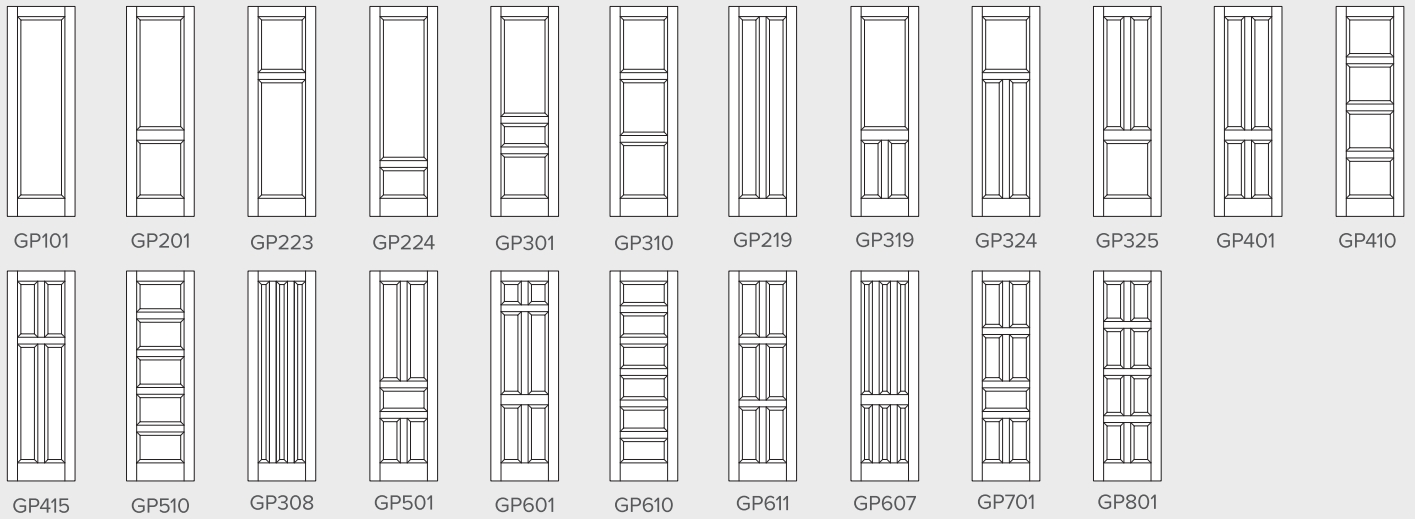
LEVEL 1



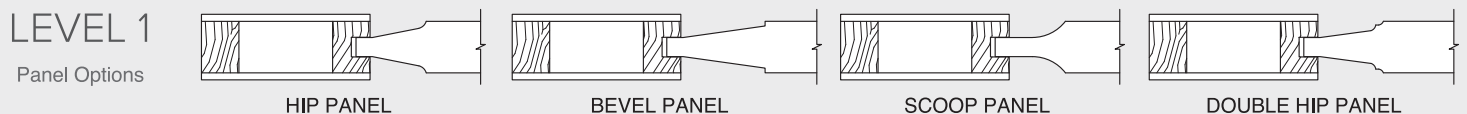
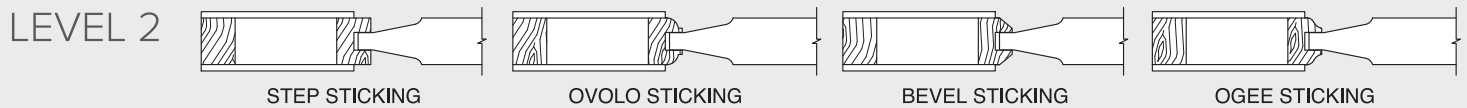
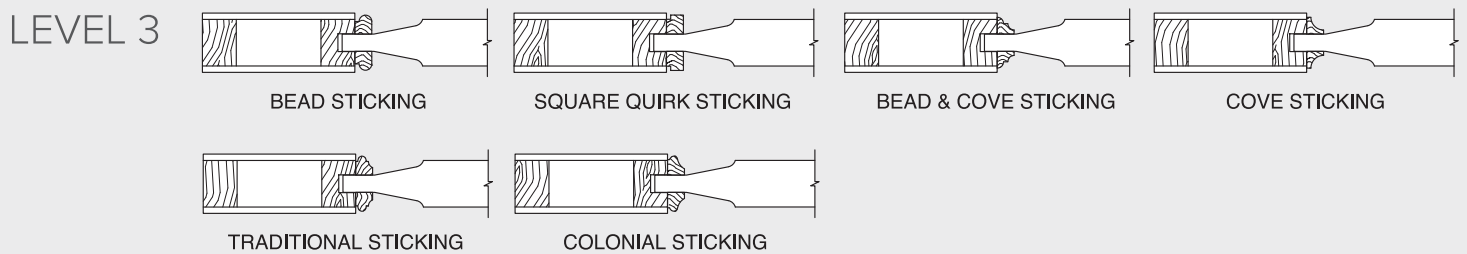
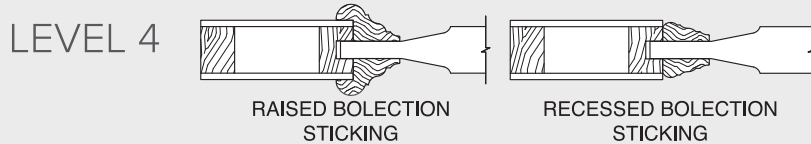


GRAND PORTE™
RAISED PANEL SERIES

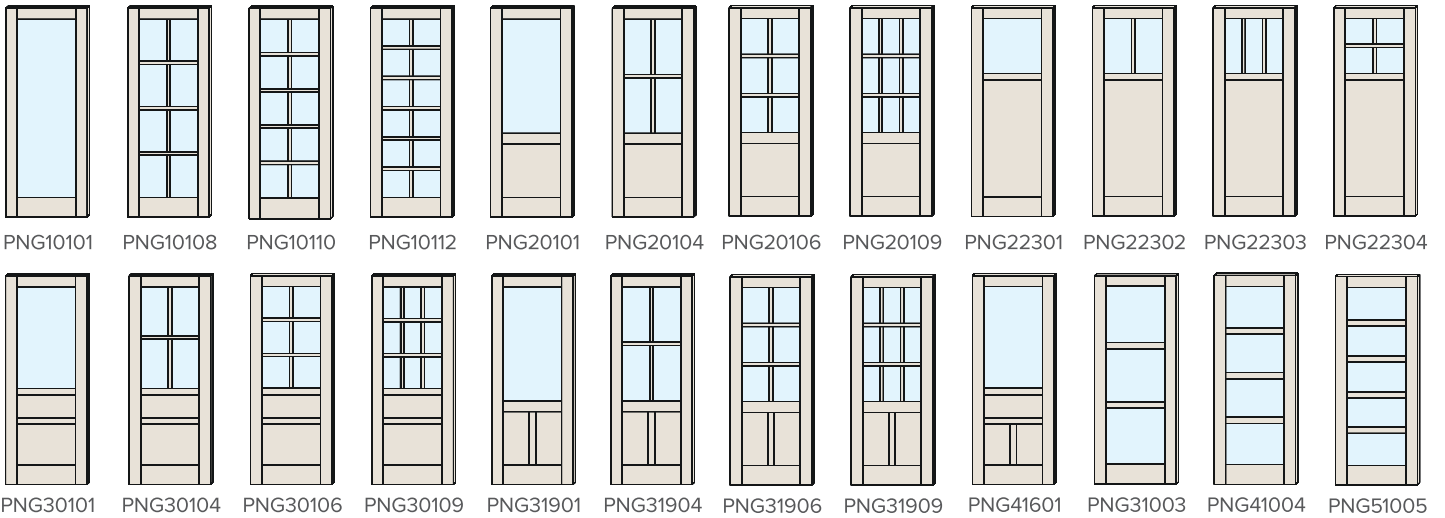
VILLACREST™ GRAND PORTE SERIES DOOR STYLES



STICKING OPTIONS

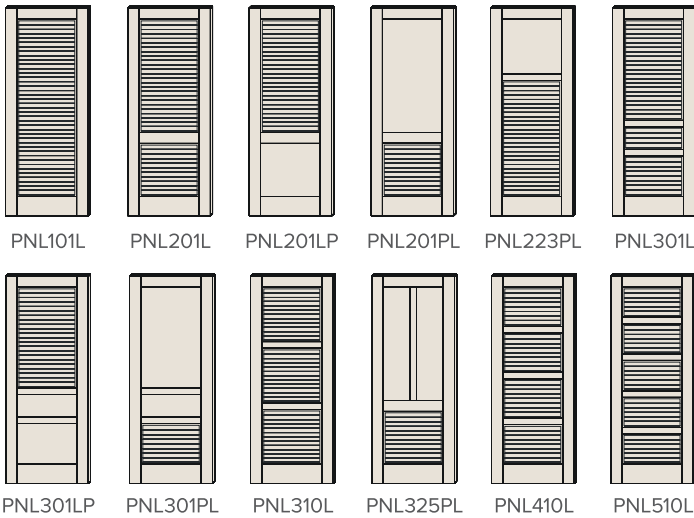


GLASS DOORS



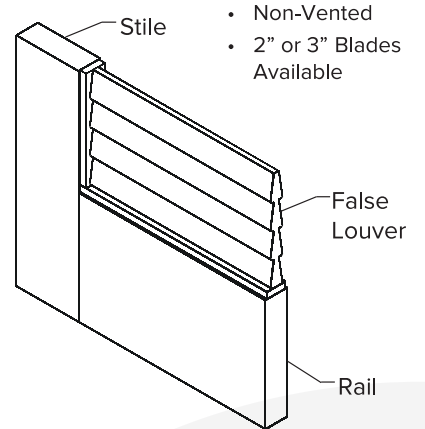
Available in both Plantation Flat Panel and Grand Porte Raised Panel Series

LOUVER DOORS

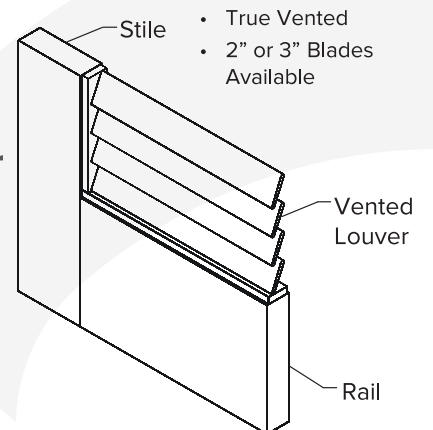


Available in both Plantation Flat Panel and Grand Porte Raised Panel Series

False Louver



Vented Louver



Affordable alternative to Solid Wood
and Superior to MDF Solutions

Custom Transoms



Fire Rated Options
(20 Minute – 90 Minute)

Custom Machining for
any hardware

Dutch Style

One-off door styles and sizes
to match the rest of the house

VillaCrest™ Interior Doors provide a contemporary look with crisp, clean lines and boldly defined styles. Using classic stile and rail construction, each door is precision-crafted with distinct, architecturally correct joinery that results in greater depth definition.



MILLWORK 360
THE DEGREE OF SUPERIOR QUALITY

12941 Memorial Hwy
Tampa, FL 33635
Phone: 813-854-3100
Toll Free: 844-854-2473

Email: sales@millwork360.net
Web: millwork360.net